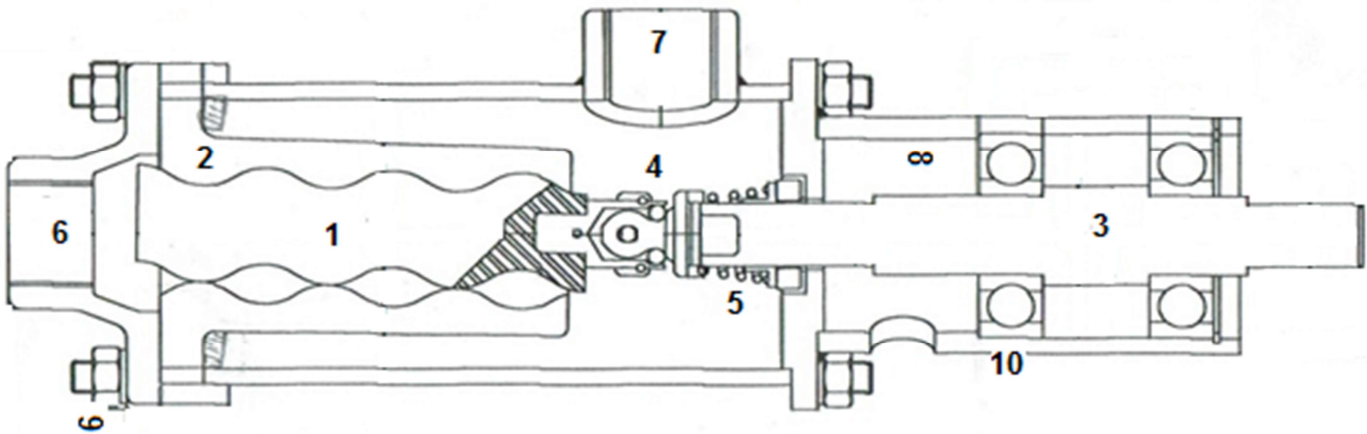




PART IDENTIFIER
PAGE 1

Auzer
DOSING

CAN BE USED IN BELT PUMP APPLICATIONS



MANUFACTURED BY AUZER PUMPS



PART IDENTIFIER
PAGE 2

Auzer
DOSING

--	--	--

ITEM	DESCRIPTION	QTY PER PUMP
1	ROTOR SS431	1
2	STATOR NITRILE	1
3	MAINSHAFT SS431	1
4	UNIVERSAL COUPLING	1
5	MECHANICAL SEAL	1
6	END COVER / EN8	1
6/A	END COVER STATOR CLAMP	1
7	GLAND SECTION TUBE / EN8	1
8	BEARING HOUSING	1
9	TIE RODS M6	4
10	BEARING	2
11	MAIN SHAFT PIN	1
12	ROTOR PIN	1
13	M6 NUTS	4
14	M6 SPRING WASHER	4

MANUFACTURED BY AUZER PUMPS